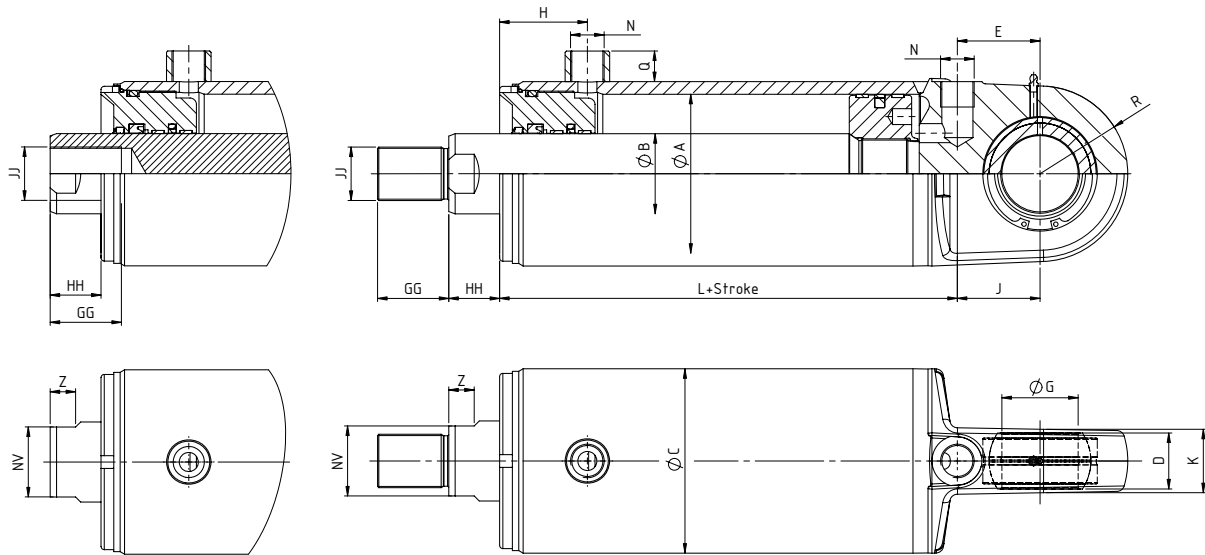


HYDRAULIC CYLINDER WITH EXTERNAL ALT. INTERNAL SCREW THREADS, DA 250

Performance DAxx02 and DAxx03



DA0103 -

DA0102 -

All measures in mm, if nothing else is stated.
Maximum working pressure 25.0 MPa (250 bar).
The cylinder is painted subdued black.

Cylinder Ø A	Piston rod Ø B	Ø C	D	E	G	GG	H	HH	J	JJ	K	L	N	NV	Q	R	Z
25	12	35	10	26	12	12	36	13	17	M8	14	88	G1/4	10	14	16	8
	14					M10x1,25				13				8			
32	16	42	10	26	12	14	36	18	17	M10x1,25	14	90	G1/4	13	14	16	8
	18					M14x1,5				17				10			
40	20	50	16	34	20	18	50	18	25	M14x1,5	18	114	G3/8	17	15	25	10
	24					M18x,1,5				22				10			
50	25	60	20	34	25	24	50	18	33	M18x1,5	25	109	G3/8	22	15	30	10
	32					M24x2				27				12			
63	32	73	22	37	30	32	49	23	35	M24x2	30	120	G1/2	27	16	35	12
	36					M27x2				36				12			
80	40	95	28	41	40	36	58	23	45	M27x2	32	126	G1/2	36	16	45	12
	45					M33x2				46				15			
100	50	115	35	51	50	45	69	33	56	M33x2	40	146	G3/4	46	24	56	15
	56					M42x2				55				20			
125	63	145	44	65	60	56	69	40	70	M42x2	50	155	G3/4	55	24	69	20
	70					M52x2				70				20			
140	70	160	49	75	70	63	75	40	80	M48x2	58	174	G3/4	60	24	75	20
	85					M64x3				80				25			
160	80	185	55	85	80	70	82	40	90	M52x2	65	193	G1	70	30	90	20
	88					M68x3				90				25			
180	90	210	60	105	90	75	95	45	100	M64x3	70	223	G1	80	30	100	25
	95					M80x3				110				25			
200	100	230	70	120	100	88	118	45	115	M68x3	80	270	G1 1/4	90	30	115	25
	112					M100x3				130				25			
250	125	300	85	150	120	95	137	45	145	M80x3	100	325	G1 1/4	110	30	145	25
	125					M125x4				150				25			

Example of article number: DA05020700-0600

Front flange on tube and external screw thread on the piston rod,
cylinder Ø 50 mm, piston rod Ø 25 mm, and a 600 mm stroke.

We reserve the right to do changes without further notice • Edition 3 June 2013